

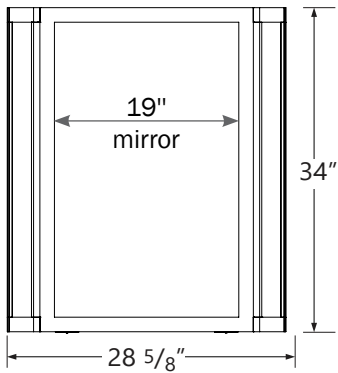


Project _____

Type _____

Notes _____

- Shallow depth, surface-mount with beveled edges
- Integral shadow-free vertical BeWell Optics for superior facial modeling
- LED lighting with high color-rendering (90 CRI), as well as red rendering (R9>50) for skin tones
- Fixed 5° tilt adjustment available for ADA accessibility (optional)
- Sensor-enabled amber or white (2700K-4000K) nightlight available



Front view bevelled shown



Bottom view bevelled shown



*Patent pending

Ordering Guide

BCVB		COLOR TEMP.		NIGHTLIGHT (OPT.)		FINISH	
PRODUCT ID							
BCVB	Vanity Mirror Beveled	30	3000 K	NTL(27)	white 2700 K	AMA	antimicrobial aluminum paint
		35	3500K	NTL(30)	white 3000 K	AMW	antimicrobial white
		40	4000K	NTL(35)	white 3500 K	GR	gray
				NTL(40)	white 4000 K	C	custom*
				NTL(AMB)	amber		
						Nightlight is motion activated by wall sensors	
						Antimicrobial finish is standard. *Consult factory for NSF.	

VOLTAGE	REMOTE CONTROLS (OPTIONAL)	TILT (OPTIONAL)
120 120 V	DS(#) daylight sensor	BT 5° Tilt Bracket
277 277 V	OS(#) occupancy sensor	
UNV universal	DOS(#) daylight & occupancy sensor	
	EN(#) Enlighted integral*	
	ENR(#) Enlighted remote*	
	WC(#) wireless control dimming	
* Please consult factory Specify quantity. See integrated controls guide for more details.		

● LIGHT GUIDE

High precision light guide made of PMMA material, allows distribution of controlled light in all 3-dimensions to put light on both vertical and horizontal planes within the space. Patented lightguide design featuring molecular optics and precision-coupled optic components yield a high efficiency luminaire. In-plane mixing maximizes color uniformity while light emitting area is uniform and diffuse without 'head lighting' from the LEDs.

● CONSTRUCTION

Frame	Extruded aluminum, powder coated
Lightguides	Laser cut Optical extruded PMMA
Back Plate	14ga Aluminum Sheet with impact support tray
Mirror	Acrylic with clear sections and anti-scratch coating (Polycarbonate option)
Mounting Frame	20ga formed anti corrosive Stainless Steel
Fasteners	Passivated, corrosion resistant 316 stainless Steel
Mounting Fasteners	Tamper resistant Torx Screws
Diffusers	PMMA Optical Film
Surface film	PET protective antiscratch film

i Specification sheets for wall mounted Vanity Mirror luminaires are available at: www.balancedcare.axislighting.com under 'Downloads' tab.

● ELECTRICAL

Lutron driver* (remote only)	LDE1 - Hi-lume 1% EcoSystem with Soft-on, Fade-to-Black LTEA - Hi-lume 1% 2-wire (120V forward phase only) *Consult factory
Other drivers** (remote only)	DALI - Digital Addressable Lighting Interface DMX - Digital Multiplex LV - line voltage - Advance Mark 10 Xitanium SR - For wireless sensor
Power over Ethernet POE drivers* (remote, consult factory for more information)	MOLEX IGOR O - Other (Consult factory) UL2108 certified for integral or remote driver
Emergency (remote only) Consult factory	Emergency battery pack or emergency circuit optional.
Input Voltage	120V, 277V, 347V (Remote driver only), UNV, DC.

*Choose driver from available options.

i Incorporating these components may have limitations or affect the length of the luminaire. Please contact factory for more details.

● OPTICS



BeWell Optics

Optical Diffuser - High transmission PMMA light scattering volumetric diffuser film.

● LED SYSTEM

CRI	Higher than 90 CRI with R9>50
CCT	Choice of 3000K, 3500K and 4000K color temperature with a great color consistency (within 3.5-step MacAdam ellipse).
LED life	Minimum 50,000h with 70% of lumen maintenance in 25°C ambient temperature, in compliance with IES LM-80 testing measurements.
Thermal management	Aluminium components act as the heat sink to maximize life.

● FINISH

Antimicrobial paint, powder coated and custom finishes are also available.

● APPROVALS

Certified to UL standards Suitable for damp locations. NSF approved.

● WEIGHT

Vanity Mirror Bevelled 22.5 lbs / 10.2 kg

● WARRANTY

BalancedCare™ by Axis Lighting will warrant defective LEDs, boards, and drivers for 5 years from date of purchase. Warranty is valid if luminaire is installed and used according to specifications. If defective, BalancedCare™ will send replacement boards or drivers at no cost along with detailed replacement instructions and instructions on how to return defective components to BalancedCare™.