



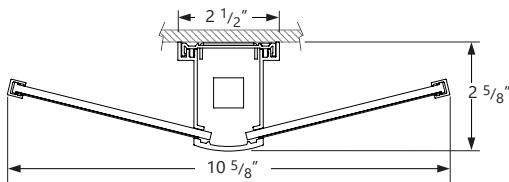
Vertical shown



Project \_\_\_\_\_

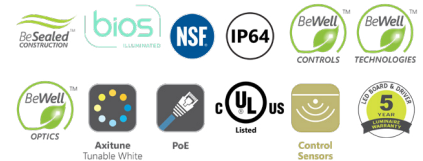
Type \_\_\_\_\_

Notes \_\_\_\_\_



- Designed with comfortable BeWell Optics providing ambient lighting and wall glow
- White CCTs 2700K - 4000K or Tunable White 2700K - 5000K
- Amber nightlight option to aid navigation
- Detachable backplate for quick-disconnect and room-side access to driver
- Horizontal or vertical orientation, surface mounting in multiple lengths
- Shallow depth - 2 5/8" - exceeds ADA compliance
- BIOS and tunable white available in select sizes
- UL Listed IP64 for both indoor and outdoor applications
- Number of circuits corresponds to number of functions; i.e., for ambient, one circuit is standard; if night light is selected, two circuits are standard (not selectable options)

\*See performance chart on page 4.



\*Patent pending

Ordering Guide

BCSC		NOMINAL LENGTH	MOUNTING ORIENTATION	CRI	COLOR TEMP.		FINISH
PRODUCT ID							
BCSC	Sconce closed book	12 12"	H horizontal	80 80 CRI	27 2700 K	AMW antimicrobial white AMA antimicrobial aluminum paint C custom*	
		18 18" *	V vertical	90 90 CRI*	30 3000 K		
		24 24"			35 3500 K		
		36 36"			40 4000 K		
					B30 3000 K - BIOS*		
			B35 3500 K - BIOS*				
			B40 4000 K - BIOS*				
			TW2750 2700-5000 K - Tunable White**				
		* Not available with BIOS and Tunable White.		* Not available with BIOS	*Consult BIOS guide for more information on BIOS technology. Only available with 80 CRI. Not available for 18" length ** Consult factory for Tunable White. Consult Axitone technical sheet for more information on color technology.		* Consult factory for NSF

VOLTAGE	DRIVER	EMERGENCY (OPT.)	NIGHTLIGHT (OPT.)
120 120 V	DP dimming (0-10V) 1%	GTD(#) generator transfer device*	NTLA amber nightlight
277 277 V	LT(#) Lutron (remote)*	+E(#) emergency section	
347 347 V*	BI bi-level dimming (remote)		
UNV universal	O(#) other (remote)**		
DC low voltage**	DPB(#) dimming (0-10V) 1% with Bios*		
	TW(#) tunable white drivers (remote)*		
	POE(#) POE drivers (remote)*		
* With remote driver only ** Only available with POE drivers.	Consult factory for Tunable white. * See page 2 to specify system ** Please consult factory, see page 2.	* Consult factory. Remote.	Available only in vertical mounting position. When Nightlight is selected a 2nd circuit is standard

LV CONTROLLER (OPT.)	BATTERY (OPT.)	OTHER
LVC1 low voltage controller (Mode 1)	B(#) battery pack	F fuse
LVC2 low voltage controller (Mode 2)		
LVCD3 low voltage controller (Mode 3 step dim)		
LVCD4 low voltage controller (Mode 3 smooth dim)		
Controllers are remote only. Remote enclosure by others. SEE WIRING DIAGRAMS ON PAGE 3-4	Not available with 347V Consult factory.	Requires 120V or 277V

● **LIGHT GUIDE**

High precision light guide made of PMMA material, allows distribution of controlled light in all 3-dimensions to put light on both vertical and horizontal planes within the space. Patented lightguide design featuring molecular optics and precision-coupled optic components yield a high efficiency luminaire. In-plane mixing maximizes color uniformity while light emitting area is uniform and diffuse without 'head lighting' from the LEDs.

● **ELECTRICAL**

**Lutron driver\* (remote only)** LDE1 - Hi-lume 1% EcoSystem with Soft-on, Fade-to-Black  
LTEA - Hi-lume 1% 2-wire (120V forward phase only)  
\*Consult factory

**Other drivers\*\* (remote only)** DALI - Digital Addressable Lighting Interface  
DMX - Digital Multiplex  
LV - line voltage - Advance Mark 10  
Xitanium SR - For wireless sensor

**BIOS DPB drivers\*** STC - BIOS control 0-10V with static spectrum and BIOS SkyBlue enabled from 100% to 1%.  
DCA - DynamicCare™ for BalancedCare; BIOS control 0-10V with dynamic spectrum and BIOS SkyBlue with Bio-Dimming™, which changes spectral qualities by removing the SkyBlue component when dimming from 100% to 51%, while light output remains relatively constant; CCT will decrease approximately 500K through bio-dimming; dimming from 50% to 1% will then reduce light output.

**Tunable White TW drivers\* (remote only)** DALIDT6 - DALI Type 6 (Two DALI Addresses)  
DALIDT8 - DALI Type 8 (One DALI Address)  
LTTW - Lutron T-Series Tunable White

**Power over Ethernet POE drivers\* (remote, consult factory for more information)** MOLEX  
IGOR  
O - Other (Consult factory)

UL2108 certified for integral or remote driver

**Emergency (remote only) Consult factory Input Voltage** Emergency battery pack or emergency circuit optional.  
120V, 277V, 347V (Remote driver only), UNV, DC.

\*Choose driver from available options.

**i** Incorporating these components may have limitations or affect the length of the luminaire. Please contact factory for more details.

● **OPTICS**



**BeWell™ Optics**

BalancedCare™ BeWell™ light guide technology provides the visually comfortable distribution required in healthcare environments.

● **WARRANTY**

BalancedCare™ by Axis Lighting will warrant defective LEDs, boards, and drivers for 5 years from date of purchase. Warranty is valid if luminaire is installed and used according to specifications. If defective, BalancedCare™ will send replacement boards or drivers at no cost along with detailed replacement instructions and instructions on how to return defective components to BalancedCare™.

● **CONSTRUCTION**

**Housing** Extruded aluminum (0.075" nominal)  
**End Cap** Die cast aluminum (0.10" nominal)  
**Top Covers** Extruded aluminum (0.075" nominal)  
**Smooth Lens** Uniform acrylic lens

**i** Specification sheets for wall mounted Sconce luminaires are available at: [www.balancedcare.axislighting.com](http://www.balancedcare.axislighting.com) under 'Downloads' tab.

● **LED SYSTEM**

**CRI** Minimum 80 or 90 color rendering index options.  
**CRI BIOS** Minimum 80 color rendering index with R9>75 for all CCTs.

**CCT Single Color** Choice of 2700K, 3000K, 3500K and 4000K color temperature with a great color consistency (within 3-step MacAdam ellipse). Both within fixture and fixture to fixture.

**CCT BIOS** BIOS Static (STC) Choice of 3000K, 3500K and 4000K.  
BIOS SkyBlue® DynamicCare™ for BalancedCare (DCA) Choice of 3000K, 3500K, and 4000K with Bio-Dimming™ which then reduces by 500K.  
[Consult BIOS guide for more information on BIOS technology.](#)

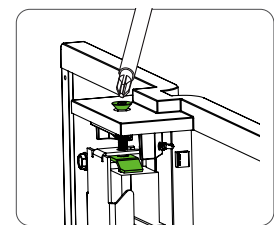
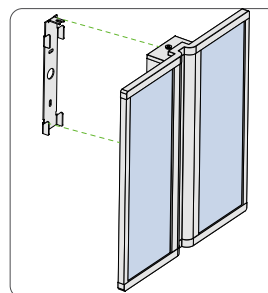
**CCT Axitune Systems** [Consult Axitune technical sheet for more information on color technology.](#)

**LED life** Minimum 50,000h with 85% of lumen maintenance in 25°C ambient temperature, in compliance with IES LM-80 testing measurements.

**Thermal Management** Aluminum housing acting as the heat sink to maximize life.

**Environment** For all line voltage drivers, dry and damp rated for ambient operating temperature of -20° to +40°C (-4° to +104°F)  
For POE driver option, , dry and damp rated for ambient operating temperature of 0° to +40°C (+32° to +104°F)  
Consult factory for temperature outside this range.

● **MOUNTING DETAILS**



**DETAIL VIEW**

**i** Installation sheets are available at: [www.balancedcare.axislighting.com](http://www.balancedcare.axislighting.com)

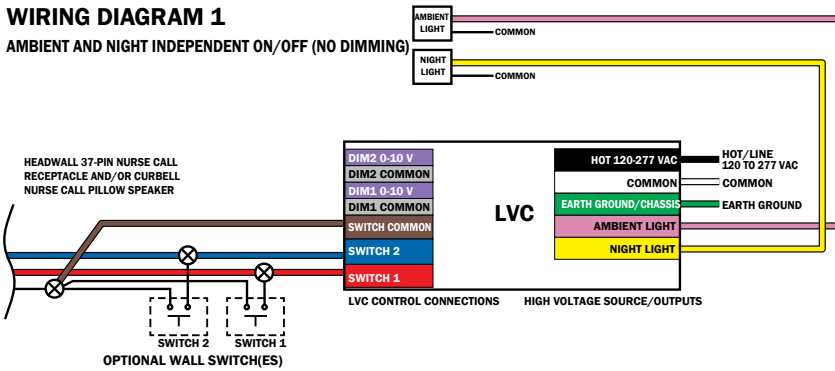
● **LOW VOLTAGE CONTROLLERS - CONFIGURATIONS**

		MODE #1 (DEFAULT)	MODE #2	MODE #3	
		Ambient Light and Night Light Independent (ON/OFF)	Ambient Light and Night Light Sequential	Ambient Light Dimming, Night Light Independent (ON/OFF)	
				Step Dimming (one direction)	Smooth Dimming (two direction)
<b>Toggle Switch 1</b> (Pillow Speakers, wall switch) affects Ambient Light as follows:	<b>First Toggle</b>	Ambient ON	Ambient ON, Night Light OFF	Ambient ON, Full brightness	First toggle: Ambient ON, dim level set to Approx. 100% brightness  Subsequent sustained presses: smooth dimming*  Second toggle: Ambient OFF
	<b>Second Toggle</b>	Ambient OFF	Ambient OFF, Night Light ON	Ambient ON, Approx. 60% (4 VDC) brightness	
	<b>Third Toggle</b>	-	Ambient ON, Night Light ON	Ambient ON, Approx. 30% (1.37 VDC) brightness	
	<b>Fourth Toggle</b>	-	Ambient OFF, Night Light OFF	Ambient ON, Approx. 10% (0.8 VDC) brightness	
	<b>Fifth Toggle</b>	-	-	Ambient OFF	
<b>Toggle Switch 2</b> (Pillow Speakers, wall switch) affects Night Light as follows:	<b>First Toggle</b>	Night Light ON	-	Night light ON	Night light ON
	<b>Second Toggle</b>	Night Light OFF	-	Night light OFF	Night light OFF
	<b>Third Toggle</b>	-	-	-	-
	<b>Fourth Toggle</b>	-	-	-	-
	<b>Fifth Toggle</b>	-	-	-	-

● LOW VOLTAGE CONTROLLERS WIRING DIAGRAMS

**WIRING DIAGRAM 1**

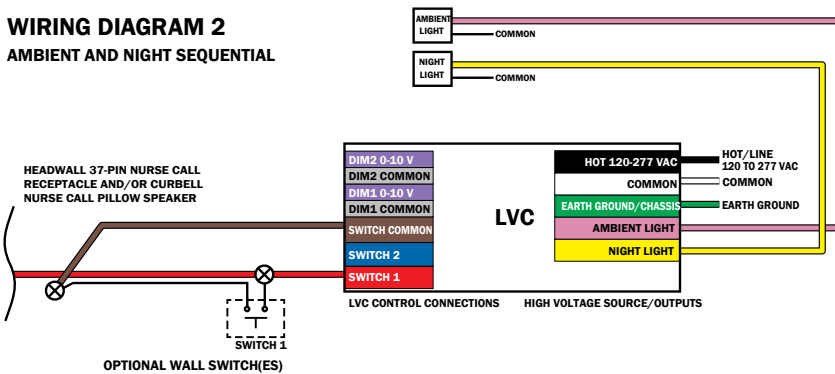
AMBIENT AND NIGHT INDEPENDENT ON/OFF (NO DIMMING)



1. LVC Mode 1 (independent ON/OFF no dimming) DEFAULT mode

**WIRING DIAGRAM 2**

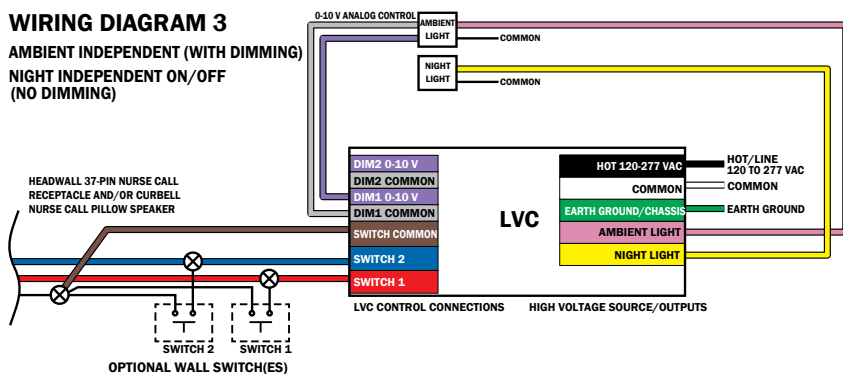
AMBIENT AND NIGHT SEQUENTIAL



2. LVC mode 2 (sequential ON/OFF no dimming)

**WIRING DIAGRAM 3**

AMBIENT INDEPENDENT (WITH DIMMING)  
NIGHT INDEPENDENT ON/OFF (NO DIMMING)



3. LVCD Mode 3 step dimming (Ambient Light-dimming, Night Light ON/OFF)  
4. LVCD Mode 3 smooth dimming (Ambient dimming, Night Light ON/OFF)

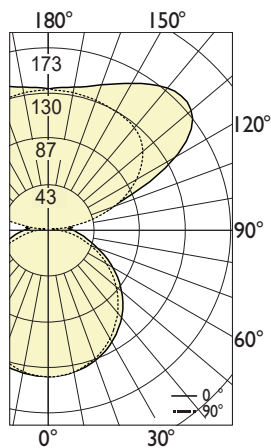
**PERFORMANCE AT 3500K**

NOMINAL LUMEN OUTPUT	INPUT WATTS*	EFFICACY	Estd. L85 LED Life (hrs.)
992 lm	12.23 W	81 lm/W	50000, min

\* Based on a luminaire using one driver  
Please consult factory for custom lumen output and wattage.

● **PHOTOMETRIC DATA**

**PHOTOMETRIC CURVE**



**Luminaire Lumens: 992 lm**  
**Input Watts: 12.23W**  
**Efficacy: 81 lm/W**  
 IES FILE: BCSC-12-80-35-W-UNV-DP:ies

TESTED ACCORDING TO IES LM-79-2008

**CANDELA DISTRIBUTION**

Vertical Angle	Horizontal Angles				
	0	22.5	45	67.5	90
0	137	137	137	137	137
5	136	136	136	136	136
15	132	132	131	131	131
25	124	124	122	121	121
35	112	111	109	107	107
45	97	95	92	90	90
55	77	76	73	70	70
65	56	54	51	49	48
75	36	34	30	27	26
85	24	23	18	11	6
90	17	17	15	13	8
95	20	18	14	17	17
105	46	42	38	45	51
115	103	99	84	79	82
125	161	146	116	105	105
135	173	159	133	121	119
145	163	153	137	127	124
155	148	143	135	128	125
165	136	134	131	128	127
175	131	130	129	128	128
180	129	129	129	129	129

**ZONAL LUMENS**

Zone	Lumens
0	
0-10	13
10-20	37
20-30	57
30-40	69
40-50	72
50-60	66
60-70	52
70-80	34
80-90	20
90-100	20
100-110	46
110-120	87
120-130	111
130-140	108
140-150	88
150-160	63
160-170	37
170-180	12
180	

**LUMINANCE DATA (cd/m²)**

Vertical Angle	Horizontal Angles		
	0	45	90
45	2237	2143	2085
55	2204	2077	2004
65	2155	1982	1875
75	2299	1924	1641
85	4496	3421	1096

**i** All IES files are available for download at: [www.balancedcare.axislighting.com](http://www.balancedcare.axislighting.com)