

Vertical shown



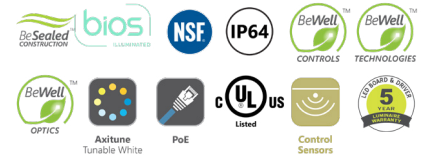
Project _____

Type _____

Notes _____

- Designed with comfortable BeWell Optics providing ambient lighting and wall glow
- White CCT 2700K - 4000K or Tunable White 2700K - 5000K
- Amber nightlight option to aid navigation
- Detachable backplate for quick-disconnect and room-side access to driver
- Horizontal or vertical orientation, surface mounting in multiple lengths
- Shallow depth - 2" - exceeds ADA compliance
- BIOS and tunable white available in select sizes
- UL Listed IP64 for both indoor and outdoor applications
- Number of circuits corresponds to number of functions; i.e., for ambient, one circuit is standard; if night light is selected, two circuits are standard (not selectable options)

*See performance chart on page 4.



Ordering Guide

*Patent pending

BCSB		WIDTH		NOMINAL LENGTH		MOUNTING ORIENTATION		CRI		COLOR TEMP.	
BCSB	Sconce box	10	10"	12	12"	H	horizontal	80	80 CRI	27	2700 K
				18	18" *	V	vertical	90	90 CRI *	30	3000 K
				24	24"					35	3500 K
				36	36"					40	4000 K
										B30	3000 K - BIOS*
										B35	3500 K - BIOS*
										B40	4000 K - BIOS*
										TW2750	2700-5000 K - Tunable White**
				* Not available with BIOS and Tunable White.				* Not available with BIOS		*Consult BIOS guide for more information on BIOS technology. Only available with 80 CRI. Not available for 18" length ** Consult factory for Tunable White. Consult Axitone technical sheet for more information on color technology.	

FINISH		VOLTAGE		DRIVER		EMERGENCY (OPT.)		NIGHTLIGHT (OPT.)	
AMW	antimicrobial white	120	120 V	DP	dimming (0-10V) 1%	GTD(#)	generator transfer device*	NTLA	amber nightlight
AMA	antimicrobial aluminum paint	277	277 V	LT(#)	Lutron (remote)*	+E(#)	emergency section		
C	custom*	347	347 V*	BI	bi-level dimming (remote)				
		UNV	universal	O(#)	other (remote)**				
		DC	low voltage**	DPB(#)	dimming (0-10V) 1% with Bios*				
				TW(#)	tunable white drivers (remote)*				
				POE(#)	POE drivers (remote)*				
* Consult factory for NSF		* With remote driver only. ** Only available with POE drivers.		Consult factory for Tunable White * See page 2 to specify system ** Please consult factory; see page 2.		* Consult factory. Remote.		Available only in vertical mounting position. When Nightlight is selected a 2nd circuit is standard	

LV CONTROLLER (OPT.)		BATTERY (OPTIONAL)		OTHER	
LVC1	low voltage controller (Mode 1)	B(#)	battery pack (remote)	F	fuse
LVC2	low voltage controller (Mode 2)				
LVCD3	low voltage controller (Mode 3 step dim)				
LVCD4	low voltage controller (Mode 3 smooth dim)				
Controllers are remote only. Remote enclosure by others. SEE WIRING DIAGRAMS ON PAGE 3-4		Not available with 347V		Requires 120V or 277V	

● LIGHT GUIDE

High precision light guide made of PMMA material, allows distribution of controlled light in all 3-dimensions to put light on both vertical and horizontal planes within the space. Patented lightguide design featuring molecular optics and precision-coupled optic components yield a high efficiency luminaire.

● ELECTRICAL

Lutron driver* (remote only) LDE1 - Hi-lume 1% EcoSystem with Soft-on, Fade-to-Black
LTEA - Hi-lume 1% 2-wire (120V forward phase only)
*Consult factory

Other drivers (remote only)** DALI - Digital Addressable Lighting Interface
DMX - Digital Multiplex
LV - line voltage - Advance Mark 10
Xitanium SR - For wireless sensor

BIOS DPB drivers* STC - BIOS control 0-10V with static spectrum and BIOS SkyBlue enabled from 100% to 1%.
DCA - DynamicCare™ for BalancedCare; BIOS control 0-10V with dynamic spectrum and BIOS SkyBlue with Bio-Dimming™, which changes spectral qualities by removing the SkyBlue component when dimming from 100% to 51%, while light output remains relatively constant; CCT will decrease approximately 500K through bio-dimming; dimming from 50% to 1% will then reduce light output.

Tunable White TW drivers* (remote only) DALIDT6 - DALI Type 6 (Two DALI Addresses)
DALIDT8 - DALI Type 8 (One DALI Address)
LTTW - Lutron T-Series Tunable White

Power over Ethernet POE drivers* (remote, consult factory for more information) MOLEX
IGOR
O - Other (Consult factory)
UL2108 certified for integral or remote driver

Emergency (remote only) Consult factory
Emergency battery pack or emergency circuit optional.

Input Voltage 120V, 277V, 347V (Remote driver only), UNV, DC.

*Choose driver from available options.

i Incorporating these components may have limitations or affect the length of the luminaire. Please contact factory for more details.

● OPTICS



BeWell™ Optics
BalancedCare™ BeWell™ light guide technology provides the visually comfortable distribution required in healthcare environments.

● WARRANTY

BalancedCare™ by Axis Lighting will warrant defective LEDs, boards, and drivers for 5 years from date of purchase. Warranty is valid if luminaire is installed and used according to specifications. If defective, BalancedCare™ will send replacement boards or drivers at no cost along with detailed replacement instructions and instructions on how to return defective components to BalancedCare™.

● LED SYSTEM

CRI Minimum 80 or 90 color rendering index options.

CRI BIOS Minimum 80 color rendering index with R9>75 for all CCTs.

CCT Single Color Choice of 2700K, 3000K, 3500K and 4000K color temperature with a great color consistency (within 3-step MacAdam ellipse). Both within fixture and fixture to fixture.

CCT BIOS BIOS Static (STC) Choice of 3000K, 3500K and 4000K.

BIOS SkyBlue® DynamicCare™ for BalancedCare (DCA) Choice of 3000K, 3500K, and 4000K with Bio-Dimming™ which then reduces by 500K.

[Consult BIOS guide for more information on BIOS technology.](#)

CCT Axitune Systems [Consult Axitune technical sheet for more information on color technology.](#)

LED life Minimum 50,000h with 85% of lumen maintenance in 25°C ambient temperature, in compliance with IES LM-80 testing measurements.

Thermal Management Aluminum housing acting as the heat sink to maximize life.

Environment For all line voltage drivers, dry and damp rated for ambient operating temperature of -20° to +40°C (-4° to +104°F)

For POE driver option, dry and damp rated for ambient operating temperature of 0° to +40°C (+32° to +104°F)
Consult factory for temperature outside this range.

● CONSTRUCTION

Housing Extruded aluminum (0.075" nominal)

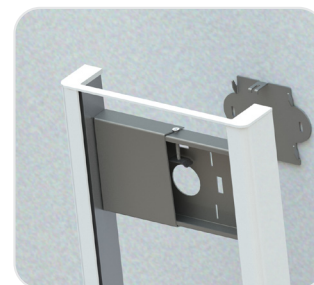
End Cap Die cast aluminum (0.10" nominal)

Top Covers Extruded aluminum

Smooth Lens Uniform acrylic lens

i Specification sheets for wall mounted Sconce luminaires are available at: www.balancedcare.axislighting.com under 'Downloads' tab.

● MOUNTING DETAILS



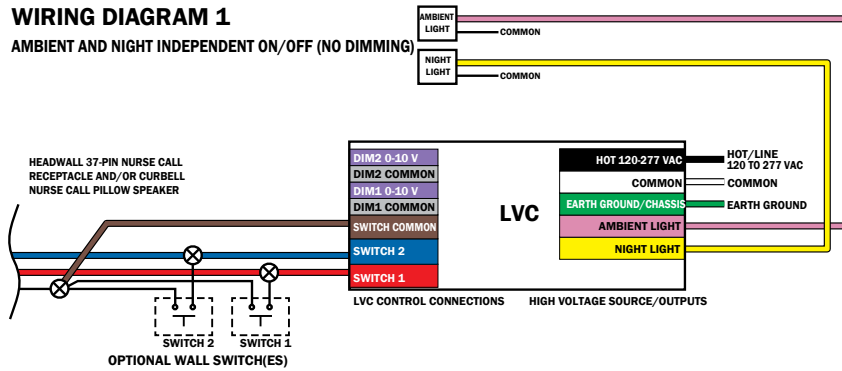
i Installation sheets are available at: www.balancedcare.axislighting.com

● LOW VOLTAGE CONTROLLERS - CONFIGURATIONS

		MODE #1 (DEFAULT)	MODE #2	MODE #3	
		Ambient Light and Night Light Independent (ON/OFF)	Ambient Light and Night Light Sequential	Ambient Light Dimming, Night Light Independent (ON/OFF)	
				Step Dimming (one direction)	Smooth Dimming (two direction)
Toggle Switch 1 (Pillow Speakers, wall switch) affects Ambient Light as follows:	First Toggle	Ambient ON	Ambient ON, Night Light OFF	Ambient ON, Full brightness	First toggle: Ambient ON, dim level set to Approx. 100% brightness Subsequent sustained presses: smooth dimming* Second toggle: Ambient OFF
	Second Toggle	Ambient OFF	Ambient OFF, Night Light ON	Ambient ON, Approx. 60% (4 VDC) brightness	
	Third Toggle	-	Ambient ON, Night Light ON	Ambient ON, Approx. 30% (1.37 VDC) brightness	
	Fourth Toggle	-	Ambient OFF, Night Light OFF	Ambient ON, Approx. 10% (0.8 VDC) brightness	
	Fifth Toggle	-	-	Ambient OFF	
Toggle Switch 2 (Pillow Speakers, wall switch) affects Night Light as follows:	First Toggle	Night Light ON	-	Night light ON	Night light ON
	Second Toggle	Night Light OFF	-	Night light OFF	Night light OFF
	Third Toggle	-	-	-	-
	Fourth Toggle	-	-	-	-
	Fifth Toggle	-	-	-	-

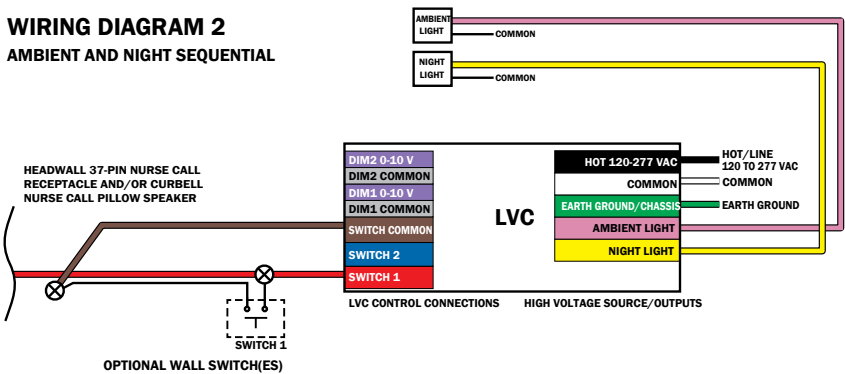
● LOW VOLTAGE CONTROLLERS WIRING DIAGRAMS

WIRING DIAGRAM 1
 AMBIENT AND NIGHT INDEPENDENT ON/OFF (NO DIMMING)



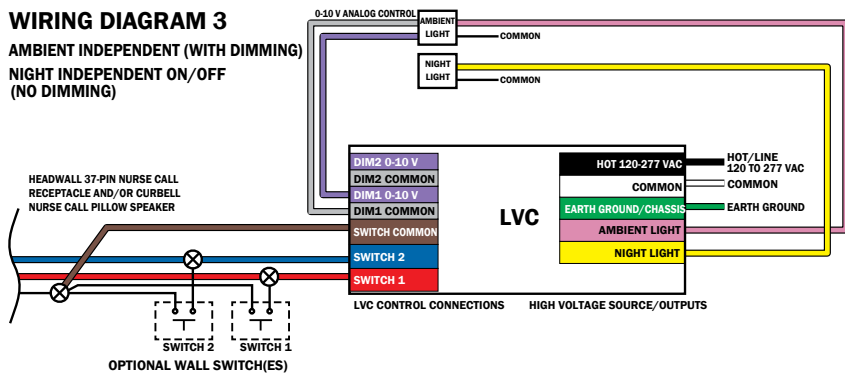
1. LVC Mode 1 (independent ON/OFF no dimming) DEFAULT mode

WIRING DIAGRAM 2
 AMBIENT AND NIGHT SEQUENTIAL



2. LVC mode 2 (sequential ON/OFF no dimming)

WIRING DIAGRAM 3
 AMBIENT INDEPENDENT (WITH DIMMING)
 NIGHT INDEPENDENT ON/OFF (NO DIMMING)



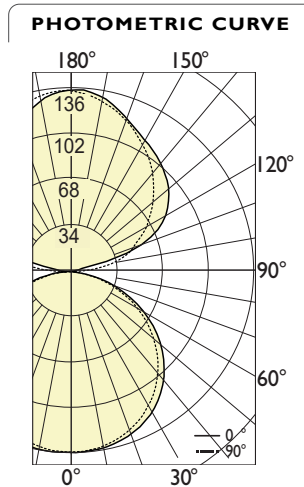
3. LVCD Mode 3 step dimming (Ambient Light-dimming, Night Light ON/OFF)
 4. LVCD Mode 3 smooth dimming (Ambient dimming, Night Light ON/OFF)

PERFORMANCE AT 3500K

WIDTH	NOMINAL LUMEN OUTPUT	INPUT WATTS*	EFFICACY	Estd. L85 LED Life (hrs.)
10"	830 lm	11.49 W	72 lm/W	50000, min

* Based on a 10 inch luminaire using one driver
Please consult factory for custom lumen output and wattage.

● PHOTOMETRIC DATA



Luminaire Lumens: 830 lm
Input Watts: 11.49 W
Efficacy: 72 lm/W
 IES FILE: BCSB-1000-80-35-FL-12x10-W-UNV-D-1.ies
 TESTED ACCORDING TO IES LM-79-2008

Vertical Angle	Horizontal Angles				
	0	22.5	45	67.5	90
0	135	135	135	135	135
5	135	135	135	135	134
15	133	133	132	132	131
25	128	127	126	124	123
35	117	117	115	113	111
45	102	101	99	96	95
55	81	81	79	76	75
65	57	57	56	54	53
75	31	31	31	29	29
85	9	9	8	8	7
90	1	2	4	4	2
95	3	8	15	18	19
105	30	32	37	42	44
115	74	64	56	58	59
125	92	85	76	74	75
135	103	98	93	90	91
145	111	107	105	104	105
155	118	117	116	117	117
165	129	128	128	128	127
175	136	135	135	134	133
180	135	135	135	135	135

Zone	Lumens
0	
0-10	13
10-20	37
20-30	57
30-40	71
40-50	74
50-60	68
60-70	52
70-80	29
80-90	8
90-100	14
100-110	39
110-120	59
120-130	70
130-140	71
140-150	65
150-160	53
160-170	36
170-180	13
180	0

Vertical Angle	Horizontal Angles		
	0	45	90
45	2355	2295	2200
55	2318	2250	2144
65	2208	2151	2033
75	1986	1930	1806
85	1635	1549	1363

i All IES files are available for download at: www.balancedcare.axislighting.com